

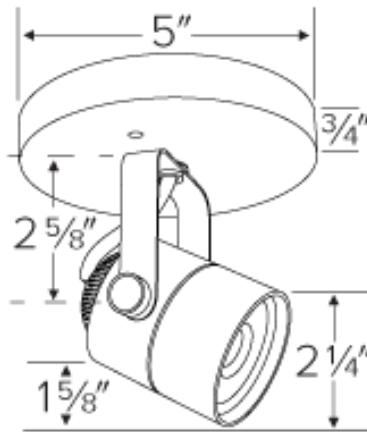
Project Name: _____ Type: _____ Quantity: _____

INTENDED USE

The specification grade Kinski Architectural LED Monopoint Light Fixture delivers direct track lighting to commercial, hospitality and residential interior ceiling monopoint lighting applications. Our architecturally styled LED monopoint light feature small, unobtrusive size and are highly adjustable. The 13302 offers excellent illumination, exceptional performance and versatility in offices, classrooms, conference rooms, museums, retail outlets, hotels, restaurants, and more

FEATURES

- Construction:** Solid die-cast aluminum
- Adjustability:** 90° tilt with 358° rotation
- Beam Angle:** 38°
- CRI:** 90+
- Voltage:** 120V
- Wattage:** 10 Watts
- Dimming:** TRIAC and ELV (100-10%)
- Warranty:** 5 Years Carefree for Parts & Components (Labor Not Included)
- Listings:** ETL, RoHS Compliant, Damp Location Listed



ORDERING INFORMATION Example:

Model	Type	Wattage Lumens Color Temp	Finish	Track Type
13302	(Blank)¹ M Track Head Round Monopoint Canopy	730 10 Watts 730 Lumens 3000K	BK Black	H^{Standard} H-Style
		760 10 Watts 760 Lumens 3500K	WH White	J J-Style
				L L-Style

¹ Track head is only compatible with (-730) option. 700 Lumens | 3000K

COLOR TEMPERATURE GUIDE

2700K	3000K	3500K	4000K	5000K
WARM WHITE	SOFT WHITE GLOW	NEUTRAL GLOW	COOL WHITE GLOW	DAYLIGHT GLOW
friendly personal intimate	soft warm pleasing	sociable inviting non-threatening	neat clean efficient	bright cool alert
HOMES LIBRARIES RESTAURANTS	HOMES HOTEL ROOMS LOBBIES RETAIL STORES	EXECUTIVE OFFICES RECEPTION AREAS SUPERMARKETS	OFFICES CLASSROOMS MASS MERCHANDISERS SHOWROOMS	GRAPHICS INDUSTRY HOSPITALS GALLERIES BEAUTY SALONS
X	✓	✓	X	X